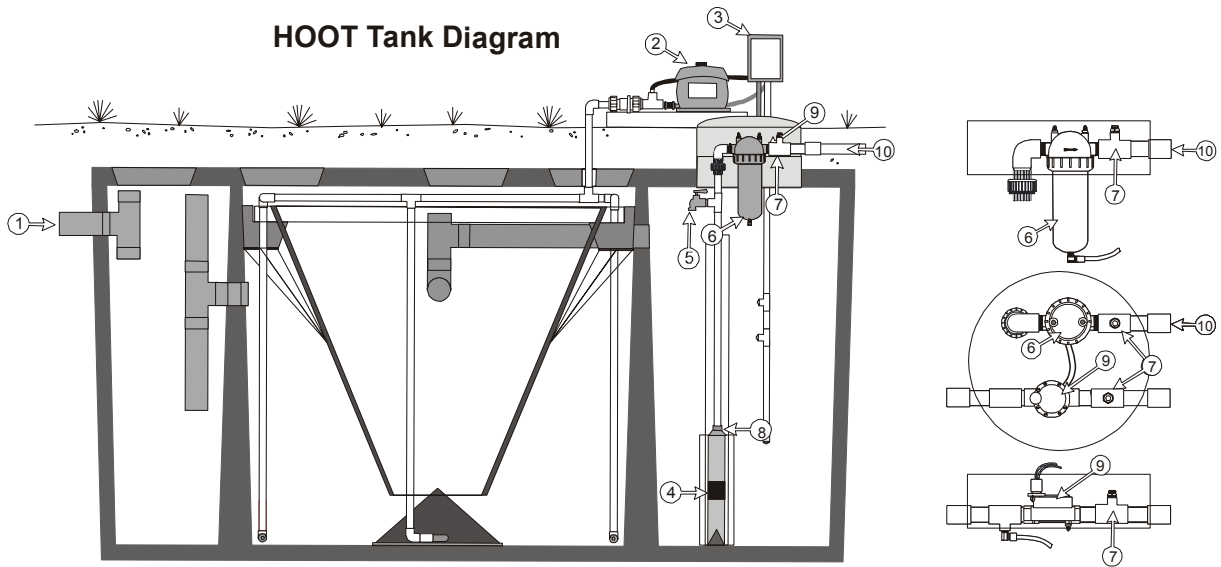


HOOT Tank Diagram



Key

- 1. 4" Inlet
- 2. Troy Air Blower
- 3. Hoot Dosing Control Panel

- 4. Hoot Blaster 20EB105
- 5. Sampling Port
- 6. 100 Micron Filter

- 7. Air Release Valves
- 8. Check Valve
- 9. Field Flush Solenoid Valve
- 10. 1 1/4" Pump Outlet

HOOT BLASTER Model H-20EB105

TDH
FEET

